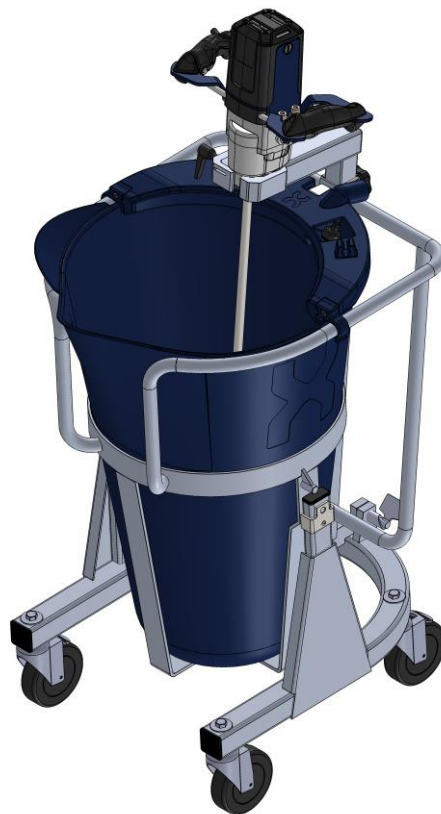




# MIXING STATION MS-150



## OPERATOR'S MANUAL

Rev 1222

# TABLE OF CONTENTS

---

<b>INTRODUCTION .....</b>	<b>1</b>
DISCLAIMER.....	1
ABOUT THIS MANUAL.....	2
SAFETY INFORMATION .....	2
SAFETY DECALS.....	3
<b>PRODUCT DESCRIPTION AND SPECIFICATION .....</b>	<b>4</b>
<b>INSTRUCTIONS FOR USE .....</b>	<b>5</b>
STEP 1 – ASSEMBLING THE HELIX PADDLE/ MIXER TO THE MS-150.....	5
STEP 2 – USING THE MS-150.....	7
STEP 3 – POURING AND PLACING LEVELLING COMPOUND.....	9
STEP 4 – MAINTAINING THE MS-150.....	10
<b>LIMITED WARRANTY.....</b>	<b>11</b>
WARRANTY EXCLUSIONS.....	12
OWNER’S RESPONSIBILITY UNDER THIS LIMITED WARRANTY .....	12
<b>CONTACT INFORMATION .....</b>	<b>13</b>
<b>APPENDIX A – RISK ASSESSMENT .....</b>	<b>14</b>

## INTRODUCTION

---

Thank you for purchasing a MAKINEX product.

This manual provides information and procedures to safely operate and maintain the **MS-150** Mixing Station. For your own safety and protection from injury, carefully read, understand, and observe the safety instructions described in this manual.

Keep this manual or a copy of it with the machine. If you lose this manual or need an additional copy, please contact MAKINEX. This machine is designed and built with user safety in mind; however, it can present hazards if improperly operated and serviced. If there are any questions regarding operating or servicing of this machine, please contact MAKINEX.

All rights, especially copying and distribution rights are reserved.  
Copyright 2023 by MAKINEX.

No part of this publication may be reproduced in any form or by any means, electronic or mechanical, including photocopying, without express written permission from MAKINEX.

Any type of reproduction or distribution not authorised by MAKINEX represents an infringement of valid copyrights and will be prosecuted. We expressly reserve the right to make technical modifications, even without due notice, which aim at improving our machines or their safety standards.

## DISCLAIMER

---

MAKINEX and its affiliates take no responsibility for any damage, injury or death resulting from the incorrect or unsafe use of this product. Use of this product should be undertaken by competent persons only. It is the operator's responsibility to ensure that the following safety procedures are followed. If you are unsure, do not operate this product.

Record the model and serial numbers as well as date and place of purchase for future reference. Have this information available when ordering parts and when making technical or warranty enquiries.

**MAKINEX SUPPORT**

**Refer to contact details on pg. 13**

**MODEL NO.**

**MS-150**

**SERIAL NO.**

**DATE OF PURCHASE**






**PURCHASE LOCATION**

## ABOUT THIS MANUAL

---

This manual uses the following symbols to help differentiate between different kinds of information. The safety symbol is used with a key word to alert you to potential hazards in operating and owning power equipment. Follow all safety messages to avoid or reduce the risk of serious injury or death.





### KEY TERMS

 <b>READ CAREFULLY</b>	<b>READ CAREFULLY</b> – refers to <b>important information</b> that should be paid careful attention.
 <b>CAUTION</b>	<b>CAUTION</b> - indicates a situation that <b>may</b> cause injury or damage to the machine if the user does not follow the instructions.
 <b>WARNING</b>	<b>WARNING</b> – indicates a situation that <b>may</b> cause injury or death if the user does not follow the instructions correctly.
 <b>DANGER</b>	<b>DANGER</b> – indicates a situation that <b>will</b> cause injury or death if the user does not follow the instructions as written.
 <b>PROHIBITED</b>	<b>PROHIBITED</b> – identifies actions that <b>should never</b> be carried out by anyone interacting with the equipment.

These safety warnings do not eliminate all possible hazards that could occur therefore it is essential to use common sense and to strictly follow any instructions to prevent accidents.

### SAFETY INFORMATION

Throughout this document there are several safety warnings. The user should read through this complete document before using the **MS-150**.

 <b>READ CAREFULLY</b>	Ensure you read all information contained in this manual before using the <b>MS-150</b> .
 <b>READ CAREFULLY</b>	Ensure you read the User Manual and safety instructions for the <b>MS-150</b> and other components that are part of this unit. See Appendix for more information.
 <b>DANGER</b>	Always wear the recommended personal protective equipment (PPE).
 <b>PROHIBITED</b>	Do not expose power tools to rain or wet conditions. Water entering a power tool will increase the risk of electric shock.

## SAFETY DECALS








There is a safety and information panel provided on the Clamp Arm (see images below) of the **MS-150** to alert the user of potential safety risks/hazards. Please read and adhere to all instructions on the Unit.



It is forbidden to remove any safety or instructional stickers or panels from the **MS-150**.



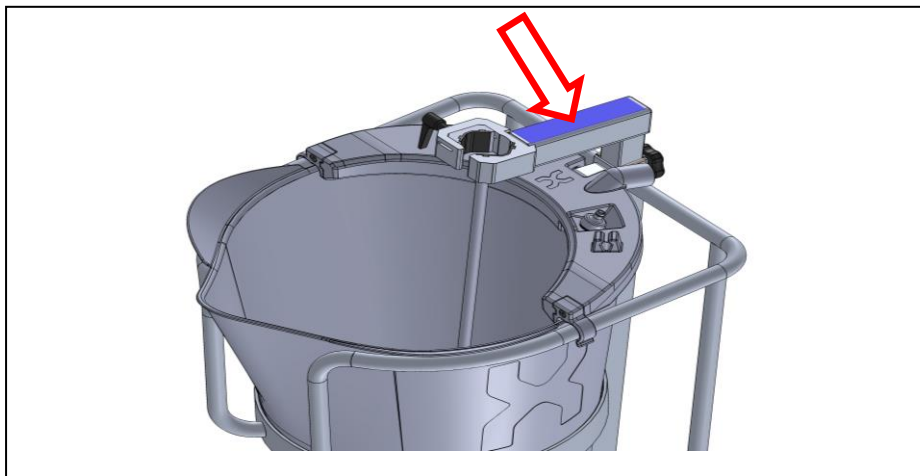
Read all safety and instructional stickers displayed on each component of the **MS-150**.



This product can expose you to chemicals including Lead, which is known to the State of California to cause cancer and birth defects or other reproductive harm. For more information go to [www.P66Warnings.ca.gov](http://www.P66Warnings.ca.gov)

**Safety Operating Instructions**

- Wear appropriate personal protective equipment.
- Use caution when changing attachments.
- Ensure mixer is switched off before connecting or disconnecting power supply.
- Use a dedicated mains power supply with extension lead not exceeding 10m.
- Never place hands in bucket while the mixer is operating.

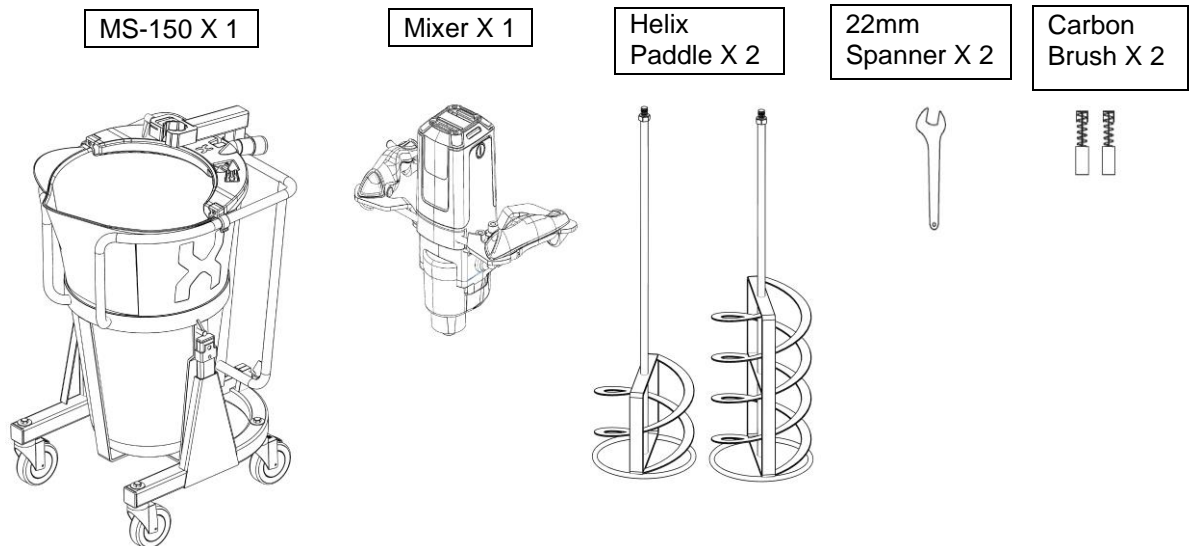


# PRODUCT DESCRIPTION AND SPECIFICATION

**MS-150** is the ultimate mixing station for all self-levelling cement and compounds, producing a perfect mix every time. Designed by contractors for contractors it provides efficient hands-free mixing and fast precision pouring of materials saving time and effort on jobs.

An **MS-150** mixing station can mix up to 160kg (353 lbs) (6 x 20kg bags plus water) in 7 minutes. The **MS-150** is ultra-lightweight for easy transportation and the ergonomic design with easy-tilt operation provides control and speed for precision pouring.

## WHAT'S IN THE BOX



<b>MS-150 DIMENSIONS:</b>	
HEIGHT HANDLE ATTACHED (Operating)	1084mm -1327mm (42.7 – 52.2 inches)
HEIGHT HANDLE DETACHED (Transport)	1034mm (40.7 inches)
OVERALL WIDTH	612mm (24.1 inches)
OVERALL LENGTH	740mm (29.1 inches)
LENGTH OF HANDLE ADJUSTMENT	243mm (9.56 inches)
WEIGHT (WITHOUT MAKINEX ELECTRIC MIXER AND HELIX PADDLE)	22kg (48.5 lbs)
WEIGHT (WITH MAKINEX ELECTRIC MIXER AND HELIX PADDLE)	33kg (72.75lbs)
<b>MAKINEX 2200W MIXER TECHNICAL DATA</b>	
NO-LOAD SPEED 1 <sup>ST</sup> GEAR	150 – 300 rpm
2 <sup>ND</sup> GEAR	300 – 650rpm
OUTPUT SHAFT THREAD	M14
WEIGHT	6.5kg (14.3 lbs)
CLASS OF PROTECTION	II
SOFT START	YES
OVER CURRENT PROTECTION	YES
OVER HEATING PROTECTION	YES

## INSTRUCTIONS FOR USE



**NEVER** operate the **MS-150** without wearing the appropriate personal protective equipment (PPE) including appropriate footwear. Assess the surrounding area for hazards. Ensure that any loose clothing and long hair is firmly tied back.



**ALWAYS** seek appropriate First Aid if Injury, Poisoning or Irritation occurs due to contact with Materials and Substances.



**ALWAYS** ensure that the work place is well ventilated.



**ALWAYS** use dedicated mains power supply with extension lead not exceeding 10 metres/11 yards

### STEP 1 – ASSEMBLING THE HELIX PADDLE/ MIXER TO THE MS-150



Ensure the Mixer is disconnected from mains power before Attaching or Removing it to/from the **MS-150** frame.

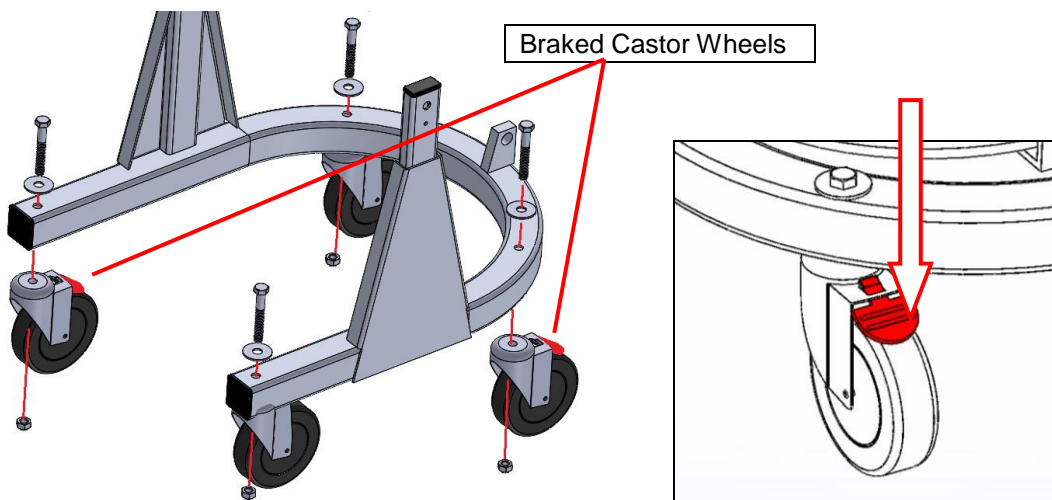


**NEVER** place hand under 'Slider Clamp' or 'Clamp Arm' when adjusting the height.

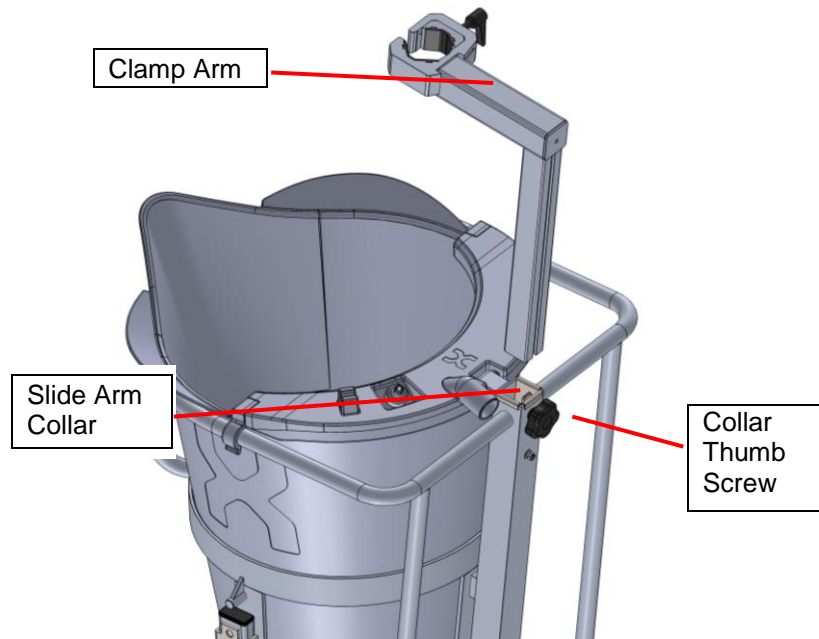


**CHECK** the electrical lead and plug for damage before use of the Mixer. Do not use the Mixer if there is evidence of damage.

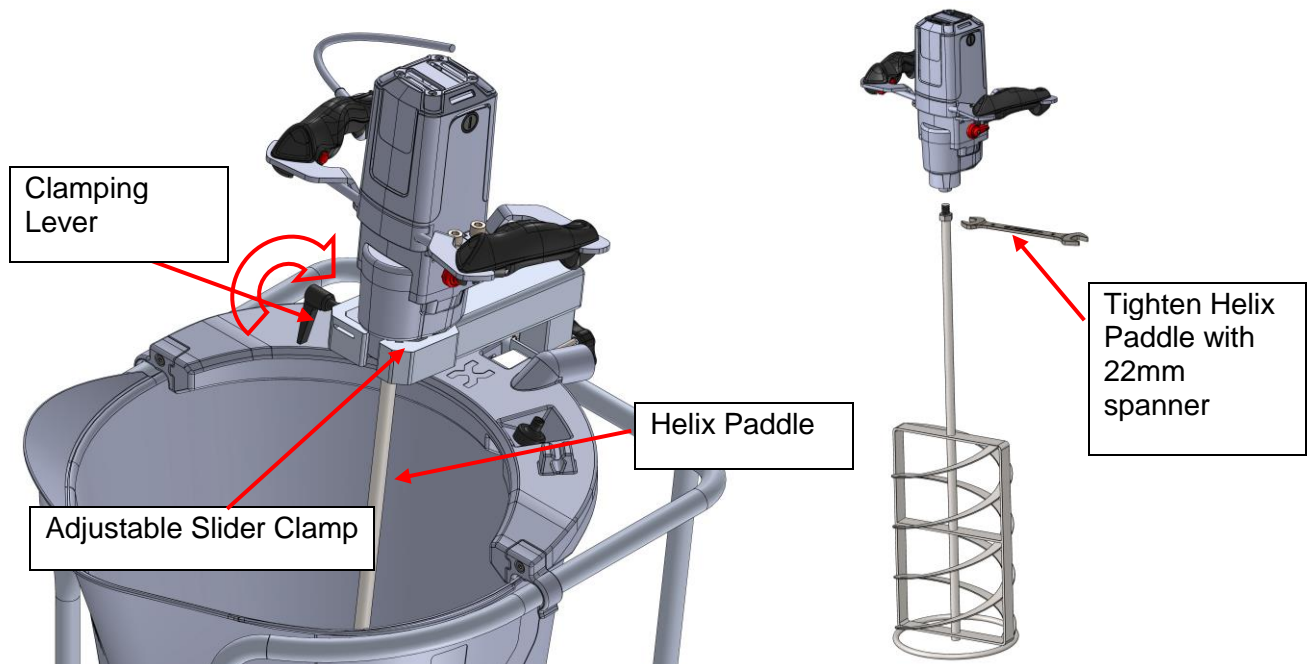
1. Assemble the four Castor Wheels to the bottom of the Frame using the M12 Bolts, Washers and Locknuts provided. Fit the two Braked Castor Wheels to opposite corners of the Frame. Check that the Castor Brakes have been engaged after assembly.



2. Attach MS-150 Clamp Arm into the Slide Arm Collar of the **MS-150** Frame; tighten Collar Thumb Screw in place.



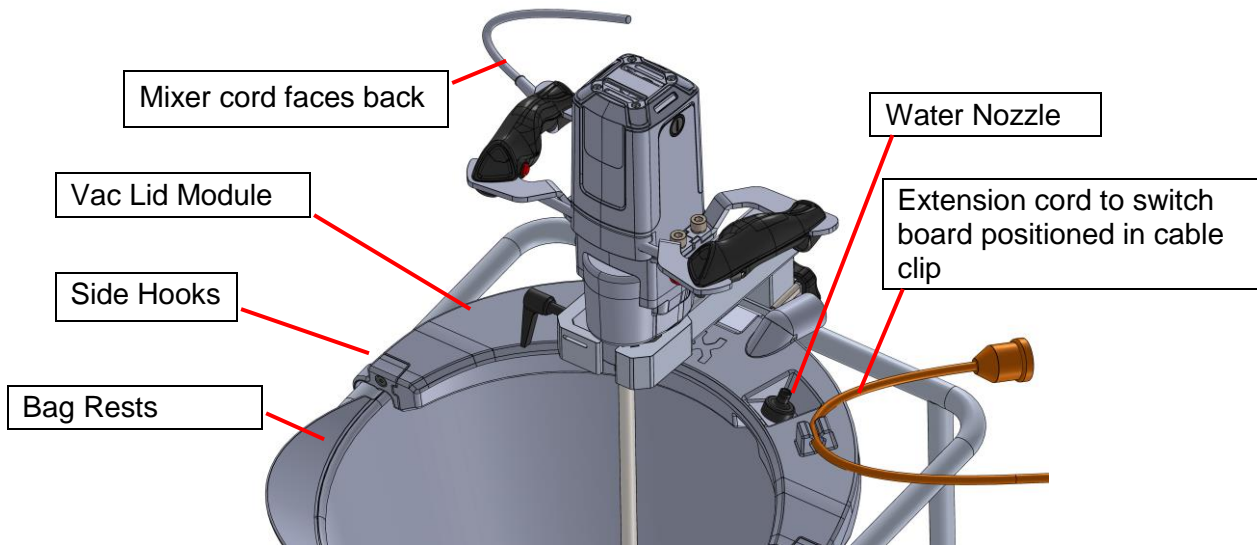
3. When fitting the Mixer make sure the Slider Clamp is opened. Fit the Mixer through the gap at the front and then position the collar part of the Mixer between the Slider Clamp and tighten.
4. Connect Helix Paddle to Mixer output shaft and firmly tighten using 22mm spanner. The MS-150 is supplied with a short Helix Paddle (up to 3 bag mix) and a large Helix Paddle (4 - 6 bag mix). Adjust height of Clamp Arm if necessary if Helix Paddle is touching base of Bucket.



**NOTE: Always grab the mixer by the handles and make sure the mixer is securely tightened, but do not over-tighten!**



When fitting the **Makinex Electric Mixer**, ensure the Electrical Cord is facing to back of the MS-150. Connect Makinex Mixer Electrical Cord to extension cord. Connect the extension cord from mains power to the Cable Clip on Vac Lid Module.



## STEP 2 – USING THE MS-150



**NEVER** place hands or other articles into the Bucket whilst Mixer is Mixing.  
**ALWAYS** disconnect Mixer from mains power before placing hands into the Bucket.

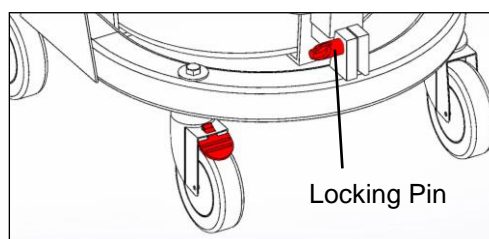


**ALWAYS** ensure the Mixer is switched OFF before plugging it in.  
**ALWAYS** wind-up the Extension Cord before moving the **MS-150**.  
**ALWAYS** be aware of the Extension Cord position when working around the **MS-150™**.

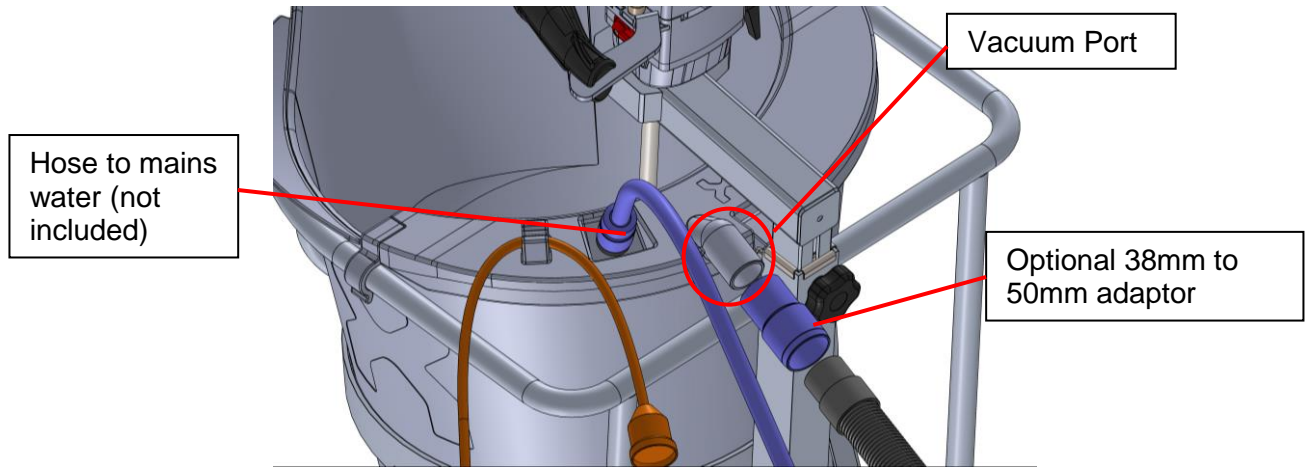


Maximum SAFE Load: 160kg (353lbs) of wet levelling compound.  
**DO NOT EXCEED** 160kg (353lbs)  
**ALWAYS** use correct lifting technique when loading materials.

1. Ensure Makinex Electric Mixer is firmly secured in the 'Slider Clamp'.
2. Attach Vac Lid Module to Bucket by clipping Side Hooks onto frame
3. Make sure the 'Locking Pin' is engaged (i.e., locked to prevent the bucket from pivoting) at the base of the Bucket and that the Castor Wheel Brake has been applied.



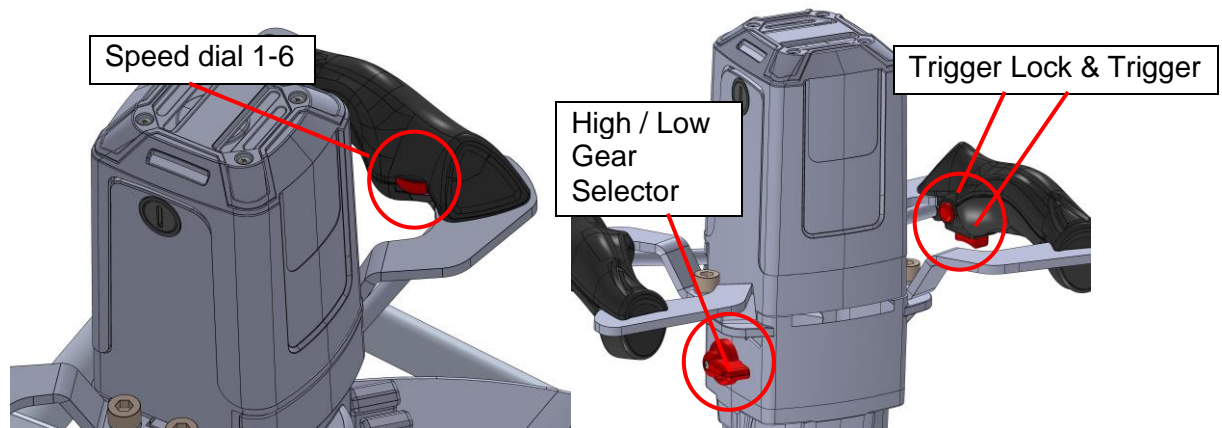
4. Attach a vacuum hose to the 'Vacuum Port'. Use the supplied adaptor if using a 50mm vac hose. Connect water hose from mains supply to Water Nozzle quick connect fitting.



5. Add in correct amount of water for desired mix quality (refer to Levelling Compound manufacturer's recommendations).

**READ CAREFULLY** Read material manufacturer's instructions before mixing

6. Make sure Makinex Electric Mixer is switched to low gear (1<sup>st</sup> Gear) and speed 1.
7. Plug in Makinex Electric Mixer to extension cord to Mains Power.
8. Press Trigger to turn 'ON' mixer and lock in Trigger.



9. Start adding Bags of Levelling Compound one at a time. The Bucket has bag rests that can be used to support the weight of the Bags while pouring.
10. Leave Makinex Electric Mixer on low-speed gear (1<sup>st</sup> Gear). The mixing speed can also be adjusted using the speed dial (there are six speeds)
11. After final bag of Levelling Compound has been added, **STOP** the Makinex Electric Mixer and **THEN** switch to high-speed gear (2<sup>nd</sup> Gear). It may be necessary to rotate the helix paddle forward and backwards slightly by hand to engage the gear. Restart the mixer. It is not recommended to exceed speed 3 when in gear 2.

**NOTE: After the final bag of Levelling Compound has been added, the whole mixing operation should take approximately 2 minutes.**

12. During mixing, wait for 30 seconds as the compound is being mixed; turn 'OFF' Mixer temporarily and scrape off any excess powder that has gathered around top of bucket.

13. Switch Mixer back 'ON' and return to Maximum Power until Levelling Compound is mixed to a lump-free consistency.
14. Once equal consistency has been achieved, turn off the Makinex Electric Mixer.
15. Unplug Makinex Electric Mixer from extension cord; wind-up the Power Cord on the **MS-150** Handle.

### STEP 3 – POURING AND PLACING LEVELLING COMPOUND



**ALWAYS** check that power cord is secured around the **MS-150** handle before pivoting the bucket.



**NEVER** place hand near the 'Pivot Pin' (Pivot Point) when rotating the bucket.

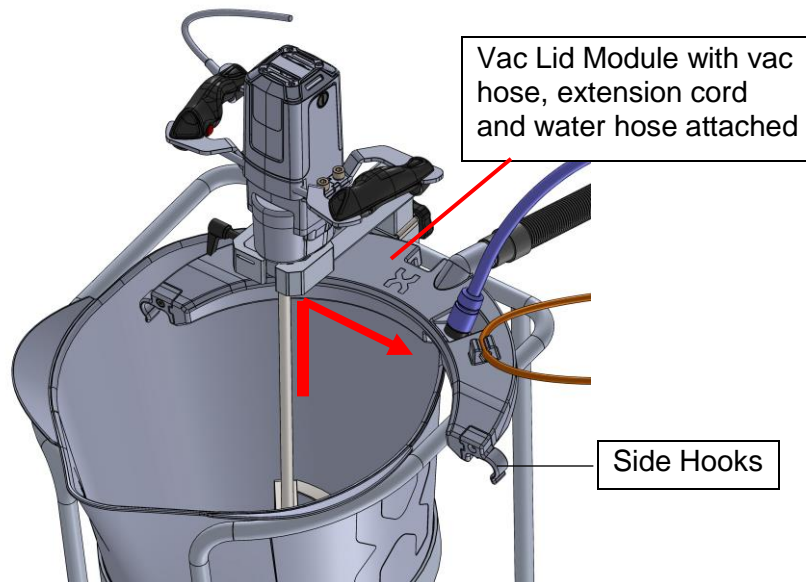


**NEVER** move or operate the fully loaded **MS-150** over an unstable surface.



**ALWAYS** protect open drains nearby from spillages of compound

1. Lift and remove the Vac Lid Module in a sideways direction with extension cord, vac hose and water hose still connected and place nearby. The Vac Lid Module is released from the Bucket by unclipping the Side Hooks.



2. Check the 'Locking Pin' is engaged (i.e., locked to prevent the bucket from pivoting) at the base of the bucket.
3. Disengage castor wheel brake.
4. Wheel the **MS-150** to the desired area (use caution when moving the loaded bucket).
5. Disengage (unlock) 'Locking Pin' at the base of the bucket.

6. Using a controlled motion (use the **MS-150** Side Handle and Rear Handle) pour mixed Levelling Compound where required.

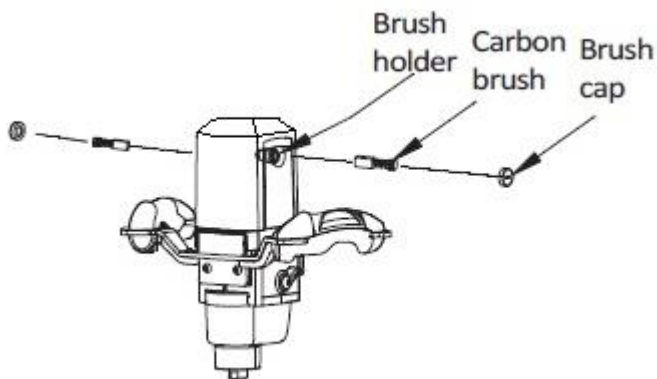
**NOTE:** With two **MS-150** Portable Mixing Stations, another mix could be completed using the same Mixer while one is being poured.

## STEP 4 – MAINTAINING THE MS-150



**ALWAYS** use two people when loading and unloading the **MS-150**.

1. It is very important to clean the equipment after use. Use water or a high-pressure hose to clean all Levelling Compound from the **MS-150** Frame, Vac Lid Module, Wheels, Bucket and Helix Paddle after use. The water nozzle in the vac lid module can be removed and used for cleaning.
2. Extra attention should be focused on cleaning the Wheels.
3. Wheels should be oiled / greased regularly.
4. The ventilation slots on the Makinex Electric Mixer motor casing should be cleaned out periodically
5. After 100 hours of operation check the carbon brushes in the Makinex Electric Mixer. When the carbon brushes are worn see the diagram below to replace the carbon brush. One pair of replacement carbon brushes are included. Remove the brush cap with a flat blade screwdriver and remove the worn carbon brush. Place new carbon brush into the brush holder inside. Replace and tighten brush caps with flat blade screwdriver.



6. After 200 hours of operation renew the grease filling the gearbox

## LIMITED WARRANTY

---

To take advantage of the MAKINEX limited warranty, you must have maintenance performed by an authorised MAKINEX dealer or MAKINEX service technician. You are free to have your MAKINEX product serviced by any suitably qualified persons and this will not affect your statutory warranties, however, failure by the owner to have the recommended servicing carried out by an authorised MAKINEX dealer/service technician means that you cannot take advantage of the MAKINEX limited warranty.

MAKINEX warrants each new mixer to be free from defects in material and workmanship under normal domestic and industrial use and service for the period specified below, conditional to the limitations and exclusions printed on this page. This warranty applies only to new MAKINEX mixer distributed by us and by our authorised MAKINEX dealers.

Under the limited warranty and at MAKINEX's discretion, upon evaluation, inspection and testing by a MAKINEX dealer or a MAKINEX service technician, MAKINEX will repair and replace of defective part(s).

AUSTRALIA: Our goods come with guarantees that cannot be excluded under the Australian Consumer Law. You are entitled to a replacement or refund for a major failure and compensation for any other reasonably foreseeable loss or damage. You are also entitled to have the goods repaired or replaced if the goods fail to be of acceptable quality and the failure does not amount to a major failure.

### **WARRANTY: (Ex-factory/ Reseller premise)**

MAKINEX warrants to the original purchaser:

- MAKINEX provides a Limited One Year Warranty that applies to MS-150 Mixing Station only (this excludes the Helix Paddle/mixer and any other attachments and consumables).
- All wheels must be thoroughly cleaned after each use, failure to do so will void warranty.
- Warranty only applies to the original purchaser and is not transferable.

## **WARRANTY EXCLUSIONS**

---

- Warranty does not cover wear and tear, breakage, misuse or theft.
- Warranty does not cover consumables (e.g., Bucket and Vac Lid Module, Wheels) and attachments (Mixers/Helix Paddle)
- Warranty will not apply to parts and/or labour if the Mixing Station is deemed to be misused, neglected, installed improperly or set up incorrectly.
- Cosmetic defects such as decals and coating.
- Failures due to acts of God and other force majeure events beyond the manufacturer's control.
- Problems caused by parts that are not original MAKINEX parts.
- Expedited freight costs.

## **OWNER'S RESPONSIBILITY UNDER THIS LIMITED WARRANTY**

---

Strict adherence to the maintenance checks and schedule with proof of scheduled maintenance service required by an authorised agent or qualified mechanic. It is the consumer's responsibility to deliver the machine in question to our service premises or to the premises of our appointed agent at the consumer's expense for replacement or repair as applicable. Maintenance services are not covered under warranty.

### **Claim Procedure:**

- Contact MAKINEX by phone or email informing us of your machines problem or defect.
- Once the extent of the claim has been assessed, we retain the right to compensate the consumer for such defect, or repair (parts & labour), or replace the machine under warranty.
- All warranties will be carried out by MAKINEX authorised staff or appointed agents at a premise to be determined by the Manufacturer.
- It is the responsibility (and cost) of MAKINEX or our appointed agent to return the machine to be repaired or replaced under warranty to the consumer- this is valid for domestic territories only (e.g., machine purchased in USA will repaired/replaced under warranty and returned to the USA consumer. Machine purchased in Australia will be repaired/replaced under warranty and returned to the Australian consumer, machine purchased in Europe will be repaired/replaced under warranty and returned to the consumer of that specific European nation etc.)
- Where the specific warranty component (e.g., Mixer/Helix Paddle) is under a Manufacturer's warranty other than MAKINEX (e.g., Collomix, Festool etc), the consumer can either contact MAKINEX or the applicable Manufacturer for repairs where such warranty was registered with that manufacturer at purchase.
- Warranty calls will only be carried out by our representatives and not via client's choice of repairer. We will not accept back charges for any work not carried out by our representatives or accept any charges due to equipment being un-operational for any reason even during its warranty period.

## CONTACT INFORMATION

---

For sales, service, warranty and parts for all MAKINEX products; please refer below.

	<b>SALES, SERVICE, SPARE PARTS &amp; WARRANTY</b>
<b>AUSTRALIA</b>	<p style="text-align: center;"><b><u>SALES</u></b></p> <p style="text-align: center;">TEL 1300 795 953 or +61 2 9460 8071 WEB <a href="http://www.makinex.com.au">www.makinex.com.au</a></p> <p style="text-align: center;"><b><u>SERVICE, SPARE PARTS &amp; WARRANTY</u></b></p> <p style="text-align: center;">EMAIL <a href="mailto:service@makinex.com.au">service@makinex.com.au</a></p>
<b>USA</b>	<p style="text-align: center;"><b><u>SALES</u></b></p> <p style="text-align: center;">TEL +1 855-625-4639 WEB <a href="http://www.makinex.com">www.makinex.com</a></p> <p style="text-align: center;"><b><u>SERVICE, SPARE PARTS &amp; WARRANTY</u></b></p> <p style="text-align: center;">EMAIL <a href="mailto:service@makinex.com">service@makinex.com</a></p>
<b>EUROPE</b>	<p style="text-align: center;">TEL +31 (0)6 24881203 or +31 (0)6 50841849 EMAIL <a href="mailto:info@mtools.eu">info@mtools.eu</a></p>
<b>UK</b>	<p style="text-align: center;">TEL +44 161 339 2223 EMAIL <a href="mailto:sales@multiquip.co.uk">sales@multiquip.co.uk</a></p>

**Or your nearest MAKINEX distributor**

We have very knowledgeable, experienced staff to assist you with help and advice.





# APPENDIX A – RISK ASSESSMENT

PRODUCT RISK / HAZARD ASSESSMENT TABLE										
PRODUCT NAME: MIXING STATION		Assessment Carried Out By: JOSHUA THAI								
MANUFACTURER: MAKINEX		Document Revision Number: 003								
OPERATOR COMPETENCY: PLANT LICENCE NOT REQUIRED		Date Created: 14/8/2019								
No:	TYPE / NATURE OF RISK or HAZARD	LIKELIHOOD	CONSEQUENCE	RISK LEVEL	CONTROL ACTION					
1.0	MECHANICAL	1.1	PINCH / CRUSH FINGERS BETWEEN THE MIXER AND MIXING STATION FRAME (FITTING MIXER TOOL TO MACHINE)	3	UNLIKELY	4	NEGLECTIBLE	5	LOW	- FOLLOW THE SAFETY PROCEDURES FOR FITMENT OF MIXING STATION.
		1.2	PINCH / CRUSH FINGERS BETWEEN FRAME AND BUCKET AT PIVOT POINT (ROTATING BUCKET)	3	UNLIKELY	3	MINOR	4	MEDIUM	- KEEP APPENDAGES AWAY FROM THE PINCH POINTS. - USE SAFETY GLOVES.
		1.3	PINCH / CRUSH FINGERS PLACING HAND UNDER CLAMP ARM WHEN ADJUSTING HEIGHT OF THE MIXER	2	LIKELY	3	MINOR	3	MEDIUM	- KEEP APPENDAGES AWAY FROM THE PINCH POINTS. - USE SAFETY GLOVES.
		1.4	CRUSH FOOT / TOES DROPPING THE MIXER WHILE REMOVING FROM MIXING STATION	3	UNLIKELY	4	NEGLECTIBLE	5	LOW	- FOLLOW THE SAFETY PROCEDURES FOR REMOVAL OF MIXING STATION. - WEAR APPROPRIATE FOOTWEAR.
		1.5	CRUSH HAND / FINGERS CAUGHT IN MIXER BLADE DURING OPERATION	4	VERY UNLIKELY	2	MAJOR	4	MEDIUM	- ENSURE NO PART OF BODY IS IN THE BUCKET DURING OPERATION. - USE SECTION LID TO COVER THE OPENING DURING OPERATION.
		1.6	CRUSH HAND / FINGERS CAUGHT IN MIXER BLADE WHILE PUTTING MIXER TOOL IN AND OUT	4	VERY UNLIKELY	2	MAJOR	4	MEDIUM	- UNPLUG THE MIXER WHILE FITTING AND REMOVING MIXER TOOL FROM MIXING STATION.
2.0	ELECTRICAL	2.1	ELECTROCUTION DUE TO DAMAGED LEAD BY RUNNING OVER THE LEAD WITH THE MIXING STATION OR CATCHING ON FOREIGN OBJECT WHEN MOVING UNIT AROUND	4	VERY UNLIKELY	1	FATALITY	3	MEDIUM	- UNPLUG AND WIND THE CORD BEFORE MOVING MIXING STATION.
		2.2	ELECTROCUTION BY DAMAGING LEAD AT PIVOT POINT CAUSING MACHINE TO BECOME 'LIVE' or LIVE WIRES TO BECOME EXPOSED	3	UNLIKELY	1	FATALITY	2	HIGH	- BE AWARE OF CORD POSITION WHEN PIVOTING MIXING STATION BUCKET.
3.0	NOISE	3.1	LOSS OF HEARING DUE TO LONG TERM USE	4	VERY UNLIKELY	2	MAJOR	4	MEDIUM	- ALWAYS WEAR HEARING PROTECTION AND/OR IN CLOSE VICINITY OF THE MACHINE.
4.0	MATERIALS AND SUBSTANCES	4.1	IRRITATION / POISONING DUE TO CONTACT WITH THE SKIN AND / OR EYES	1	VERY LIKELY	3	MINOR	2	HIGH	- USE RESPIRATORY PROTECTION AND WEAR GLOVES AND GLASSES. - USE SECTION LID TO COVER THE OPENING DURING OPERATION.
		4.2	IRRITATION / POISONING DUE TO INHALATION OF MATERIALS AND SUBSTANCES	1	VERY LIKELY	3	MINOR	2	HIGH	- USE RESPIRATORY PROTECTION. - USE THE VACUUM PORT ON THE LID. - USE SECTION LID TO COVER THE OPENING DURING OPERATION.
		4.3	IRRITATION / POISONING DUE TO INGESTION OF MATERIALS AND SUBSTANCES	3	UNLIKELY	3	MINOR	4	MEDIUM	- USE RESPIRATORY PROTECTION. - USE SECTION LID TO COVER THE OPENING DURING OPERATION.
5.0	NORMAL OPERATION	5.1	INJURY / STRAIN DUE TO BENDING TO PICK UP AND POUR LEVELLING COMPOUND	4	VERY UNLIKELY	3	MINOR	5	LOW	- FOLLOW SAFETY PROCEDURE FOR POURING LEVELLING COMPOUND. - STAFF TRAINING FOR CORRECT LIFTING AND POURING PROCEDURE.



		2	LIKELY	3	MINOR	3	MEDIUM	- USE A HOIST OR TWO PEOPLE TO LIFT MACHINE.
5.2	INJURY / STRAIN DUE TO LIFTING THE MACHINE - LOADING / UNLOADING	2	LIKELY	3	MINOR	3	MEDIUM	- BE AWARE OF POWER CORD AT ALL TIMES. UNPLUG AND WIND THE CORD WHEN NOT IN USE.
5.3	INJURY / BRUISING DUE TO TRIPPING ON POWER / EXTENSION CHORD	3	UNLIKELY	3	MINOR	4	MEDIUM	- ALWAYS APPLY BRAKES WHEN STATIONARY AND THE INDEXING PLUNGER (LOCKING PIN) WHEN MOVING MIXING STATION. USE THE SECTION LID WHEN IN USE.
6.0 ENVIRONMENT	6.1 CONTAMINATION OF DRAIN / WATER SOURCES DUE TO LEVELLING COMPOUND AND / OR OTHER CHEMICALS SPILLING INTO DRAIN OR WATER SOURCE	3	UNLIKELY	3	MINOR	4	MEDIUM	- ALWAYS APPLY BRAKE AND INDEXING PLUNGER (LOCKING PIN) WHEN NOT IN USE.
	6.2 DAMAGE TO PERSON / PROPERTIES DUE TO BRAKE NOT BEING APPLIED (RUNAWAY)	3	UNLIKELY	3	MINOR	4	MEDIUM	

**NOTES:**

- > THIS PRODUCT HAS BEEN DESIGNED AND MANUFACTURED AS A GENERATOR ONLY
- > THIS DOCUMENT HAS BEEN PREPARED ACCORDING TO GUIDELINES AND RECOMMENDATIONS FOUND IN:
  1. 'HAZPAK' PRODUCED BY THE WORK-COVER AUTHORITY AND
  2. THE AUSTRALIAN STANDARDS 4024.1.4/5-1996 'SAFEGUARDING OF MACHINERY - PART 1: GENERAL PRINCIPLES'

<p>"LIKELIHOOD LEVEL" REFERS TO THE PROBABILITY OF AN EVENT HAPPENING. THE FOLLOWING SCALE HAS BEEN USED TO DESCRIBE THE LIKELIHOOD OF A DEFINED RISK / HAZARD EVENT OCCURRING DURING NORMAL OPERATION OF THE EQUIPMENT. NOTE THAT LIKELIHOOD EVALUATION IS QUALITATIVE AND BASED ON BEST ESTIMATION VIA CONSULTATION AND EXPERIENCE:</p> <ol style="list-style-type: none"> <li>1. VERY LIKELY</li> <li>2. LIKELY</li> <li>3. UNLIKELY</li> <li>4. VERY UNLIKELY</li> </ol>	<p>"CONSEQUENCE" REFERS TO THE SEVERITY OF INJURY CAUSED DUE TO AN EVENT OCCURRING, USING THE FOLLOWING SCALE AS DEFINED BY THE "HAZPAK" DOCUMENT:</p> <ol style="list-style-type: none"> <li>1. FATALITY = INJURIES RESULT IN DEATH</li> <li>2. MAJOR = NORMALLY IRREVERSIBLE INJURIES</li> <li>3. MINOR = REVERSIBLE INJURIES REQUIRING SEVERAL DAYS OFF</li> <li>4. NEGLIGIBLE = ABLE TO BE TREATED USING FIRST AID</li> </ol>	<p>"RISK LEVEL" REFERS TO THE SEVERITY OF A RISK BASED ON THE "LIKELIHOOD LEVEL" AND "INJURY LEVEL". INHERENTLY, AS THE CONSEQUENCE INCREASES IN SEVERITY, RISK INCREASES - EVEN WHEN LIKELIHOOD IS LOW - THE FOLLOWING SCALE HAS BEEN USED:</p> <ol style="list-style-type: none"> <li>1. HIGH = POTENTIAL DEATH, PERMANENT DISABILITY, OR MAJOR STRUCTURAL DAMAGE.</li> <li>2. MEDIUM = POTENTIAL TEMPORARY, DISABILITY, OR MINOR STRUCTURAL DAMAGE.</li> <li>3. LOW = POTENTIAL INCIDENT THAT HAS THE POTENTIAL TO CAUSE PERSONS TO REQUIRE FIRST AID.</li> </ol>
--	---	--

